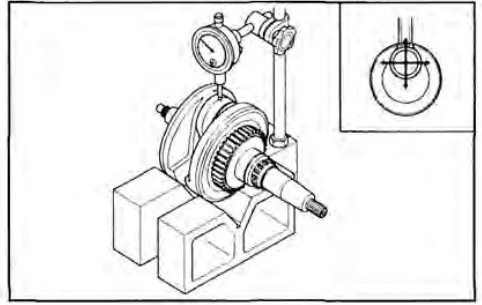


Big End Radial Clearance

Measure the radial clearance of the connecting rod big end.

SERVICE LIMIT: 0.05 mm (0.002 in)

**Balancer Gear**

Check the balancer gear for wear or damage.

**Crankshaft/Balancer Bearing**

Turn the inner race of each bearing with your finger. The bearings should turn smoothly and quietly. Also check that bearing outer races fit tightly in the crankcase.

