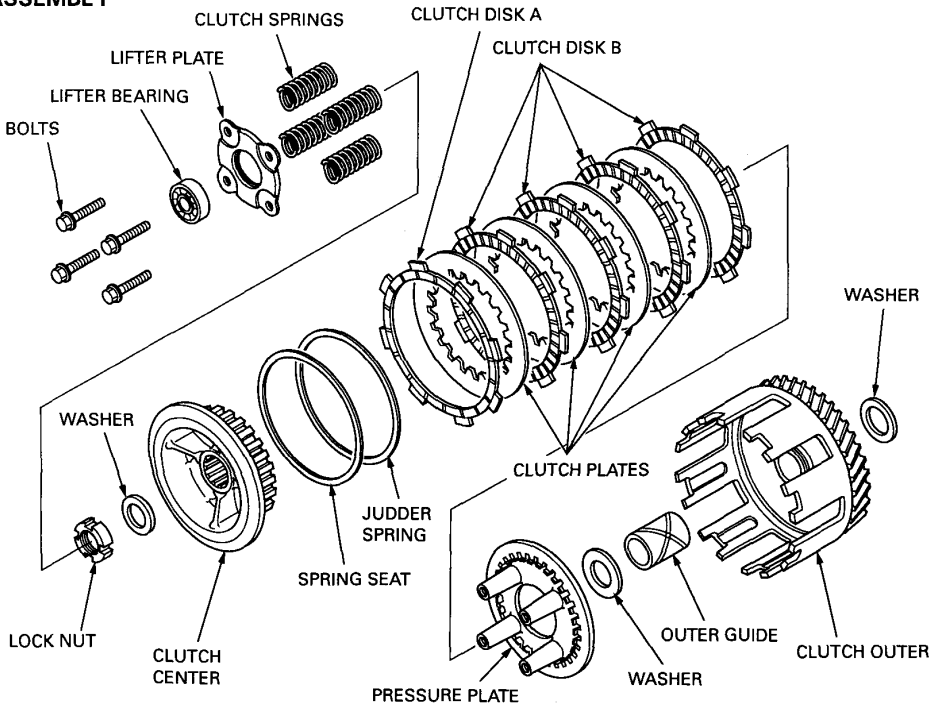


ASSEMBLY



- Install the pressure plate in the clutch outer.
- Install the clutch discs and plates alternately in the clutch outer.
- Install the tabs of outside clutch disc A into the shallow slots of the clutch outer. (Disc A has larger I.D. than Disc B)
- Install the judder spring with its tapered side facing out.
- Install the spring seat, washer and clutch center.

