

AIR CLEANER HOUSING

REMOVAL/INSTALLATION

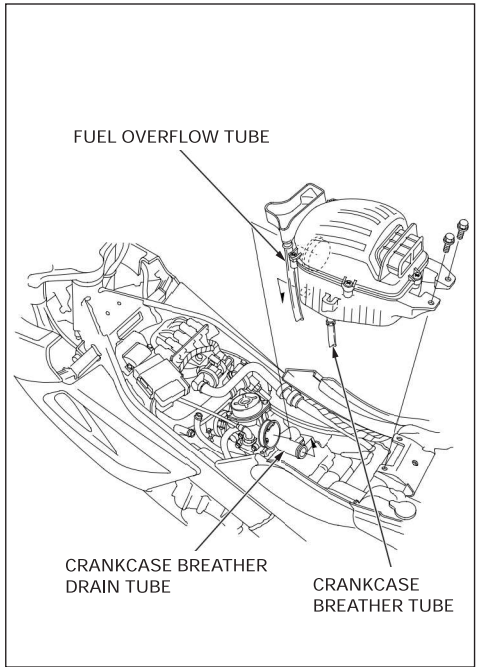
Remove the fuel tank (page 5-3).

Disconnect the crankcase breather, crankcase breather drain and fuel overflow tubes.

Loosen the carburetor connecting tube band screw and disconnect the connecting tube from the carburetor.

Remove the air cleaner mounting bolts and air cleaner housing.

Installation is in the reverse order of removal.



SUB-AIR CLEANER

REMOVAL/INSTALLATION

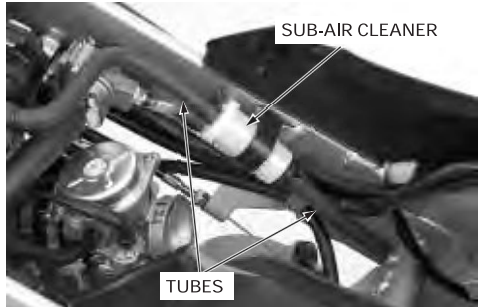
Remove the following:

- fuel tank (page 5-3)
- air cleaner housing (See above)

Disconnect the tubes.

Remove the sub-air cleaner from the frame.

Check the element and replace if necessary.



CARBURETOR REMOVAL

Remove the following:

- fuel tank (page 5-3)
- air cleaner housing (See above)

Remove the mounting bolt and PAIR control valve with the tubes connected.

Disconnect the air injection hose from the cylinder head cover.

