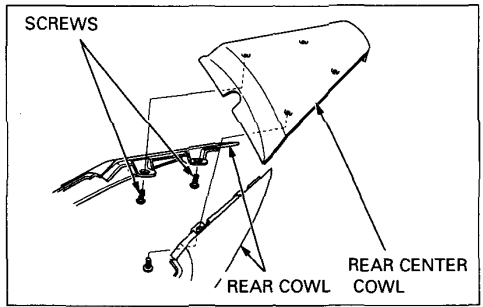


Remove the four screws and rear center cowl from the rear cowls.

Installation is in the reverse order of removal.



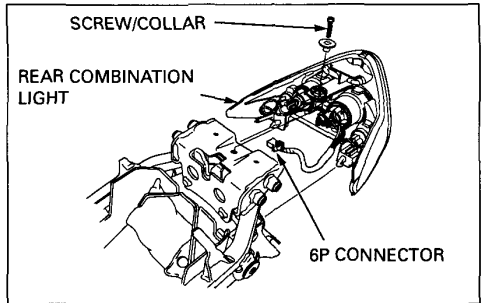
## REAR FENDER

### REMOVAL/INSTALLATION

Remove the following:

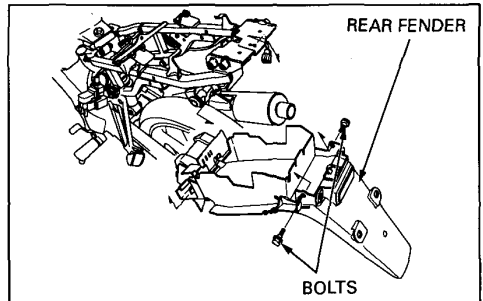
- battery (page 17-4)
- rear cowl (page 2-2)
- starter relay switch and fuses

Disconnect the rear combination light 6P connector. Remove the screw and collar. Release the rear combination light bosses from frame grommets, then remove the rear combination light.



Remove the two bolts and rear fender.

Installation is in the reverse order of removal.



## UNDER COWL

### REMOVAL/INSTALLATION

Hold the lower cowl securely and remove the six screws from the both sides. Remove the under cowls as an assembly.

