

Wear inspection:

Check the chain wear label when adjusting the chain. If the red zone (6) on the label aligns with the index mark (5) on the swingarm after the chain has been adjusted to the proper slack, the chain is excessively worn and must be replaced. The proper slack is:

25–35 mm (1.0–1.4 in)

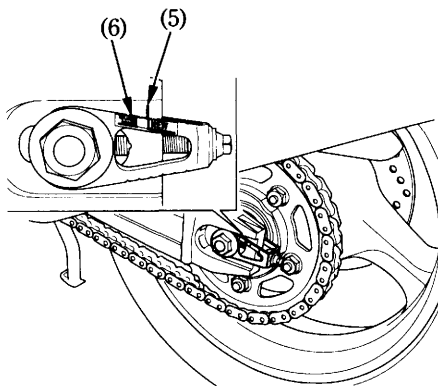
Replacement chain:

D.I.D.50ZVS

or

RK50LFO–Z1

This motorcycle has a staked master link drive chain which requires a special tool for cutting and staking. Do not use an ordinary master link with this chain. See your authorized Honda dealer.



(5) Index mark

(6) Red zone