

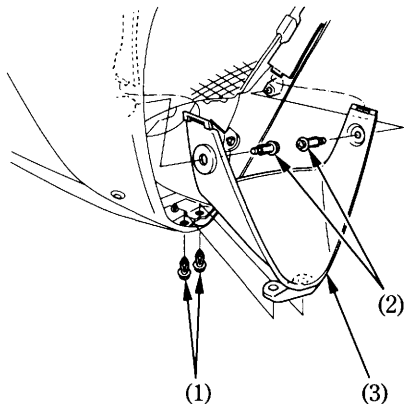
INNER LOWER COWL

Removal:

1. Remove the clips A (1) and clips B (2).
2. Remove the inner lower cowl (3).

Installation:

- Installation can be done in the reverse order of removal.



- (1) Clips A
- (2) Clips B
- (3) Inner lower cowl