

## LEFT HANDLEBAR CONTROLS

〈 Except MX type 〉

### Headlight Dimmer Switch (1)

The headlight dimmer switch is used to change between the high and low beams of the headlight. To operate, turn the switch to ☰D (HI) for high beam, ☷D (LO) for low beam.

### Passing Light Control Switch (2)

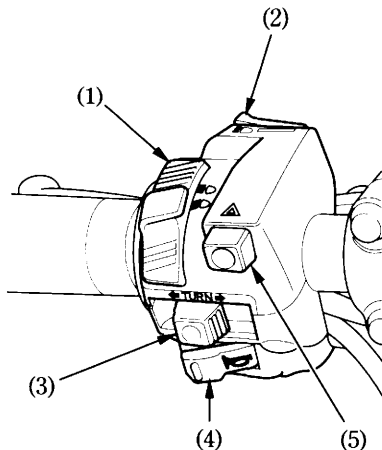
When this switch is pressed, the headlight flashes on to signal approaching cars or when passing.

### Turn Signal Switch (3)

Move to ⇐ (L) to signal a left turn, ⇒ (R) to signal a right turn. Press to turn signal off.

### Horn Button (4)

Press the button to sound the horn.



- (1) Headlight dimmer switch
- (2) Passing light control switch
- (3) Turn signal switch
- (4) Horn button
- (5) Hazard switch