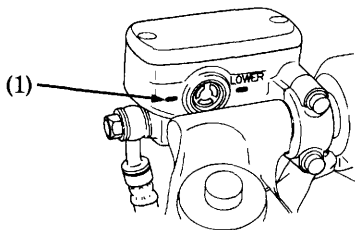


Check that the fluid level is above the **LOWER** level mark (1) with the motorcycle in an upright position.

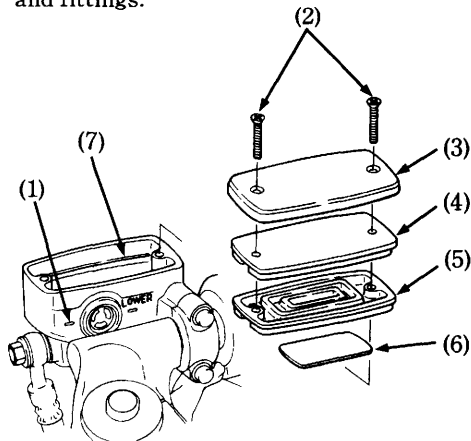
Brake fluid must be added to the reservoir whenever the fluid level begins to reach the **LOWER** level mark (1). Remove the screws (2), reservoir cover (3), diaphragm plate (4), diaphragm (5), and float (6). Fill the reservoir with **DOT 4 BRAKE FLUID** from a sealed container up to the upper level mark (7). Reinstall the float, diaphragm, diaphragm plate, and cover. Tighten the screws securely.



(1) LOWER level mark

Other Checks:

Make sure there are no fluid leaks. Check for deterioration or cracks in the hoses and fittings.



(2) Screws
(3) Reservoir cover
(4) Diaphragm plate

(5) Diaphragm
(6) Float
(7) Upper level mark