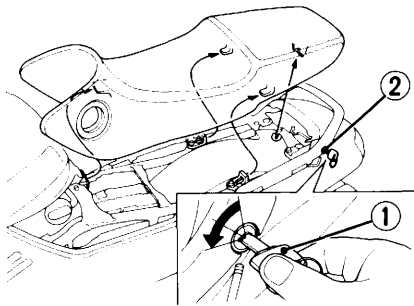


## SEAT

To remove the seat, insert the ignition key (1) into the lock (2) and turn it counterclockwise. Remove the seat by pulling up and rearward.



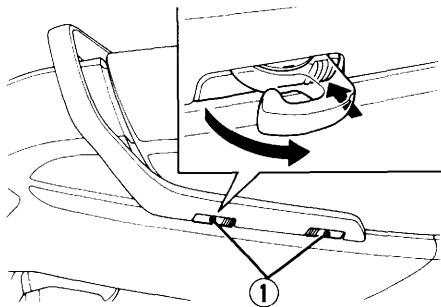
- (1) Ignition key
- (2) Seat lock

## CORD HOOK

This motorcycle is equipped with the retractable luggage cord hooks (1).

### CAUTION:

Never use this cord hook to tow or lift the motorcycle.



- (1) Cord hooks