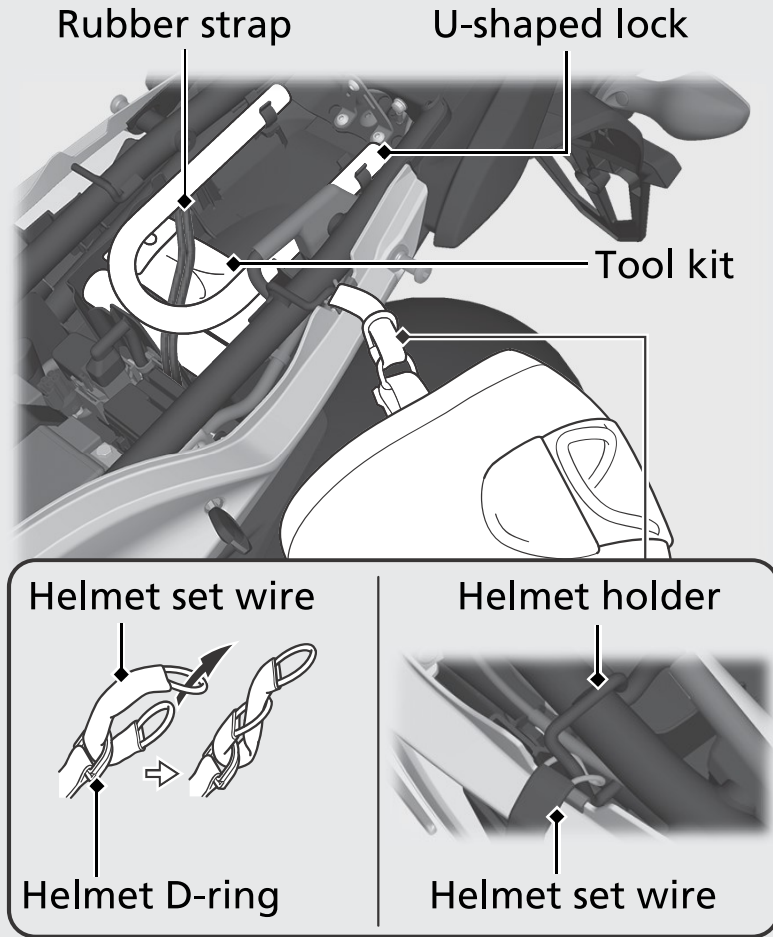


Storage Equipment

The helmet holder, the tool kit and helmet set wire (in the tool kit) are located under the seat. There is also space to store a U-shaped lock.



- ▶ The U-shaped lock is held in place under the seat.
- ▶ Use the helmet holder only when parked.
- ▶ Some U-shaped locks may not fit in the compartment due to their size or design.

Removing the Seat ➔ P.58

! WARNING

Riding with a helmet attached to the holder can interfere with the rear wheel or suspension and could cause a crash in which you can be seriously hurt or killed.

Use the helmet holder only while parked. Do not ride with a helmet secured by the holder.