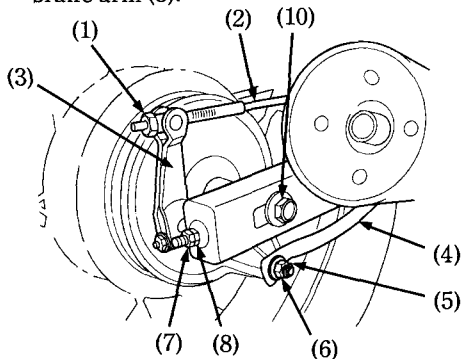


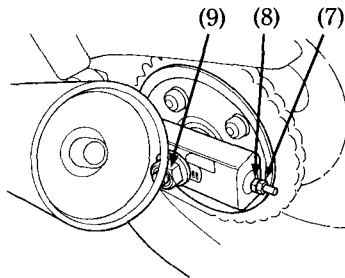
## Rear Wheel Removal

1. Raise the rear wheel off the ground by placing a support block under the engine.
2. Remove the rear brake adjusting nut (1), disconnect the brake rod (2) from the brake arm (3).



- |                              |                         |
|------------------------------|-------------------------|
| (1) Rear brake adjusting nut | (6) Stopper arm nut     |
| (2) Brake rod                | (7) Lock nut            |
| (3) Brake arm                | (8) Chain adjusting nut |
| (4) Brake stopper arm        | (9) Axle nut            |
| (5) Cotter pin               | (10) Axle               |

3. Disconnect the brake stopper arm (4) from the brake panel by removing the cotter pin (5), stopper arm nut (6), washer and rubber grommet.
4. Loosen the lock nuts (7) and drive chain adjusting nuts (8).
5. Remove the axle nut (9).
6. Remove the drive chain from the driven sprocket by pushing the rear wheel forward.
7. Remove the axle (10), side collar and rear wheel from the swing arm.



- |                         |              |
|-------------------------|--------------|
| (7) Lock nut            | (9) Axle nut |
| (8) Chain adjusting nut |              |