

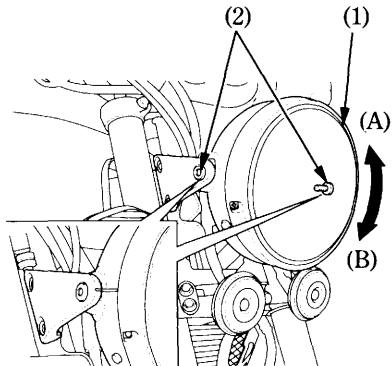
## HEADLIGHT AIM VERTICAL ADJUSTMENT

Vertical adjustment can be made by moving the headlight case (1) as necessary.

To move the headlight case (1), loosen the bolts (2).

Tighten the bolts (2) after adjustment.

Obey local laws and regulations.



(1) Headlight case

(2) Bolts

(A) Up

(B) Down