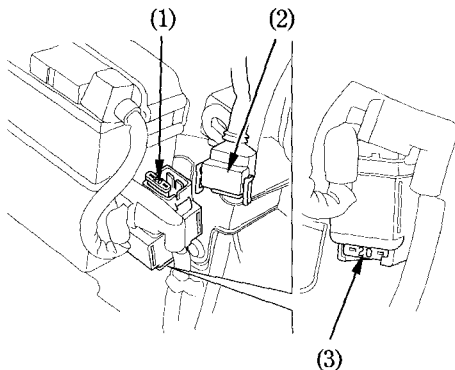


Main fuse:

The main fuse (1) is located behind the right side cover. The specified fuse is:

20A

1. Remove the right side cover (page 31).
2. Disconnect the wire connector (2) of the stater magnetic switch.
3. Pull out the old fuse and install a new fuse.
The spare fuse (3) is located the starter magnetic switch holder.
4. Reconnect the connector and install the seat and left side cover.



(1) Main fuse
(2) Wire connector

(3) Spare fuse