

## Headlight

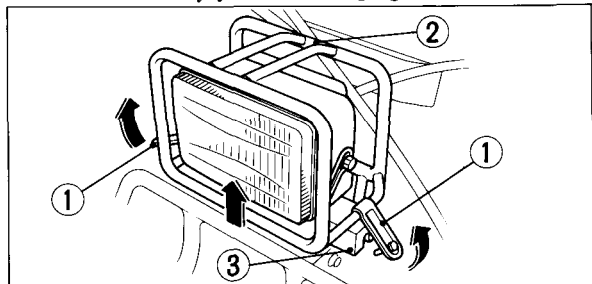
The headlight can be detached and used for work at night.

### WARNING

\* *Before riding the ATC, check to make sure the headlight is securely attached and the headlight cord is installed in the cord box (4). Do not ride the ATC with the headlight detached and do not ride with the headlight cord out of the cord box. If the cord is not installed in the cord box, it may interfere with the controls or wheels causing loss of control.*

### CAUTION

\* *Use the headlight with the engine running to prevent the battery from discharging.*



(1) Lock pins

(3) Rubber mount

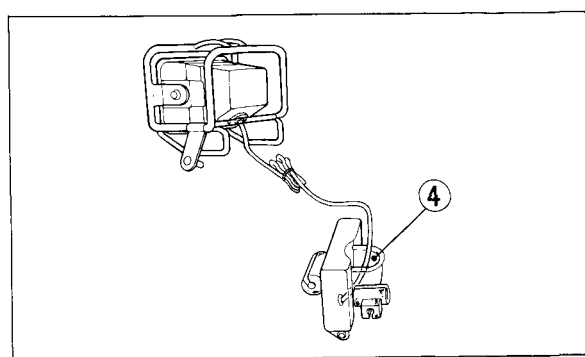
(2) Headlight case bracket

### To detach the headlight from ATC

1. Pull the right and left lock pins (1) out.
2. Grasp the headlight case bracket (2) and pull the headlight up to remove it from the rubber mounts (3).
3. Remove the headlight cord from the cord box.
4. To install the headlight onto the ATC, reverse the detaching procedure.

### CAUTION

\* *After installation, make sure that the headlight wire is not pinched.*



(4) Cord box