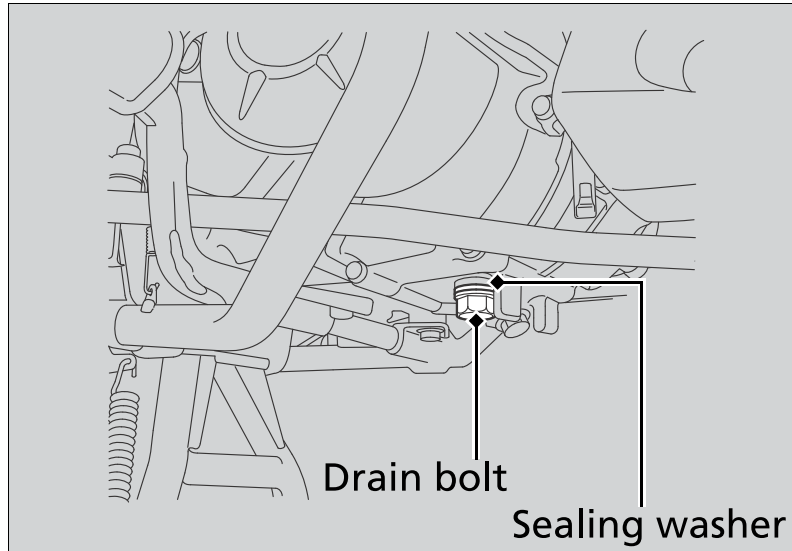


## Engine Oil ► Changing Engine Oil

3. Turn the ignition switch off, stop the engine and wait for 2 to 3 minutes.
4. Place a drain pan under the drain bolt.
5. Remove the oil fill cap/dipstick, drain bolt, and sealing washer to drain the oil.
  - Discard the oil at an approved recycling centre.



6. Install a new sealing washer onto the drain bolt.
  7. Install the drain bolt and tighten.
- Torque:** 24 N·m (2.4 kgf·m, 18 lbf·ft)
8. Fill the crankcase with the recommended oil (► P. 44) and install the oil fill cap/ dipstick.

### Required oil

#### When changing oil:

0.8 litres (0.8 US qt, 0.7 Imp qt)

9. Check the oil level. ► P. 62
10. Check that there are no oil leaks.